



BENDEZU  
PORT  
EQUIPMENT

# Bendezu Port Equipment

MAQUINARIA PORTUARIA DE SEGUNDA MANO – USED PORT EQUIPMENT FOR SALE – GEBRAUCHTE HAFENTECHNIK

## Liebherr R 974 C



YEAR: 2007

WORKING HOURS: 16.500

REACH: 24 mts

GOOD WORKING CONDITIONS

[ventas@suministrosportuarios.com](mailto:ventas@suministrosportuarios.com)

[info@bendezu.com](mailto:info@bendezu.com)

+34 679 449 189

+49 176 727 176 54



BENDEZU  
PORT  
EQUIPMENT

# Bendezu Port Equipment

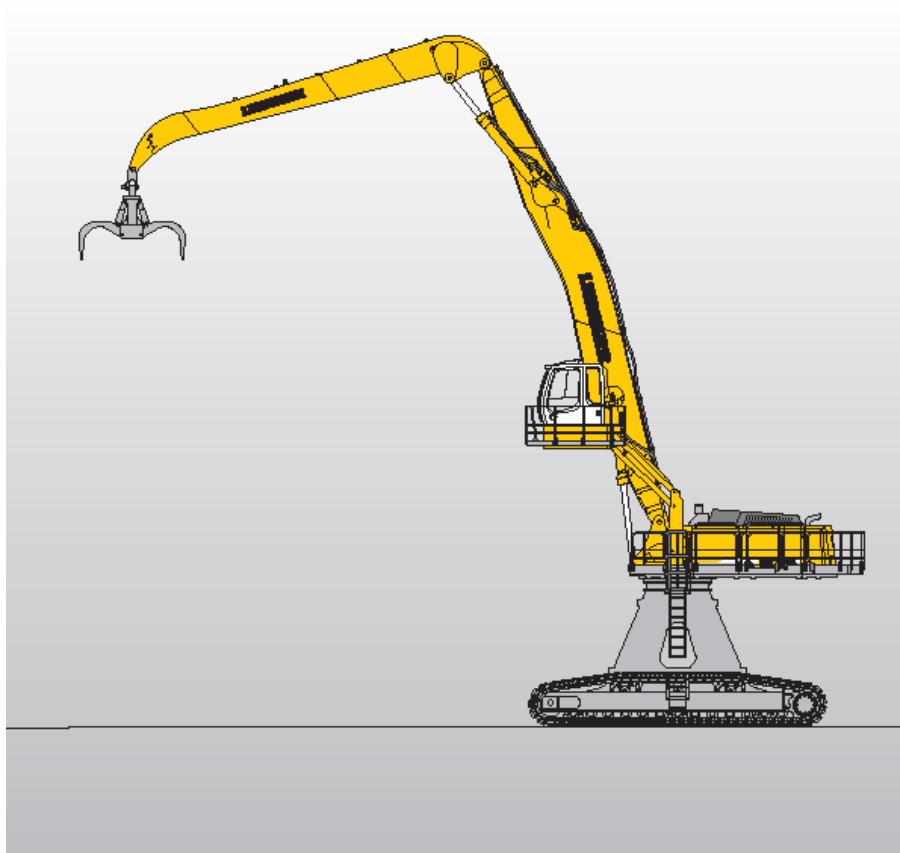
MAQUINARIA PORTUARIA DE SEGUNDA MANO – USED PORT EQUIPMENT FOR SALE – GEBRAUCHTE HAFENTECHNIK

## Liebherr R 974 C

### Machine for Industrial Applications **R 974 C**

Litronic High Rise

Operating Weight: 128,000 – 136,100 kg  
Engine Output: 400 kW / 543 HP



# LIEBHERR

[ventas@suministrosportuarios.com](mailto:ventas@suministrosportuarios.com)

[info@bendezu.com](mailto:info@bendezu.com)

+34 679 449 189

+49 176 727 176 54



# Bendezu Port Equipment

MAQUINARIA PORTUARIA DE SEGUNDA MANO – USED PORT EQUIPMENT FOR SALE – GEBRAUCHTE HAFENTECHNIK

## Liebherr R 974 C

### Technical Data



#### Engine

Rating per ISO 9240	400 kW (543 HP) at 1,800 RPM
Model	Liebherr D 9508
Type	8 cylinder V-engine
Bore/Stroke	128/157 mm
Displacement	16.16 l
Engine operation	4-stroke diesel Common-rail injection turbo-charged after-cooled reduced emissions water-cooled
Cooling	dry-type air cleaner with pre-cleaner, primary and safety elements, automatic dust discharge
Air cleaner	water-cooled
Fuel tank	1,490 l
Electrical system	24 V
Voltage	2 x 170 Ah/12 V
Batteries	24 V/7.8 kW
Starter	three phase current 28 V/80 A
Alternator	



#### Hydraulic System

Hydraulic pumps for attachment and travel drive	2 Liebherr variable flow swash plate pumps
Max. flow	2 x 405 l/min.
Max. hydr. pressure	350 bar
Pump control	electro-hydraulic with electronic engine speed sensing regulation over entire RPM range, pressure compensation, flow compensation automatic oil flow optimizer, flow summation
Hydraulic pump for swing drive	1 reversible swash plate pump, closed-loop circuit
Max. flow	315 l/min.
Max. hydr. pressure	350 bar
Hydraulic tank	745 l
Hydraulic system	1,250 l
Hydraulic oil filter	2 full flow filters in return line with integrated fine filter area (5 µm), 1 high pressure filter for each main pump
Cooler	radiator, consisting of cooling unit for coolant and after-cooler as well as 2nd cooler for hydraulic oil with hydrostatically regulated fan drive
MODE selection	adjustment of machine performance and the hydraulics via a mode selector to match application
ECO	for especially economical and environmentally friendly operation
POWER	for maximum digging power and heavy duty jobs
LIFT	for lifting
FINE	for precision work and lifting through very sensitive movements
RPM adjustment	stepless adjustment of engine output via the rpm at each selected mode



#### Hydraulic Controls

Power distribution	via control valves in single block with integrated safety valves
Flow summation	to boom stick and bucket cylinders
Closed-loop circuit	for uppercarriage swing drive
Activation	electro-hydraulic control
Attachment and swing	proportional via joystick levers
Travel	proportional via foot pedals or removable hand levers
Additional functions	via foot pedals or joystick toggle switch



#### Swing Drive

Drive by	Liebherr swash plate motor with integrated brake valves
Transmission	Liebherr compact planetary reduction gear
Swing ring	Liebherr, sealed single race ball bearing swing ring, internal tooth
Swing speed	0 – 5.9 RPM stepless
Swing torque	200 kNm
Hold/ing brake	wet multi-disc (spring applied, pressure released)
Option	pedal controlled positioning brake



#### Uppercarriage

Design	torque resistant modular design upper frame
Attachment mounting	parallel length girders
Catwalks	on both sides



#### Operator's Cab

Cab	profiles and deep draw technology, rearlantly mounted, sound insulated, tinted windows. Front window armored glass, door with sliding window
Operator's seat	shock absorbing suspension, adjustable to operator's weight, 8-way adjustable seat integrated into adjustable seat consoles
Joysticks	menu driven query of current operating conditions via the LCD display. Automatic monitoring, display, warning (acoustical and optical signal) and saving machine malfunction data, for example, engine overheating, low engine oil pressure or low hydraulic oil level
Monitoring	standard automatic air conditioning, combined cooler/heater, additional dust filter in fresh air/recirculated
Heating system	
Noise emission ISO 6398	L <sub>90</sub> (inside cab) = 72 dB(A)
2000/14/EC	L <sub>90A</sub> (around noise) = 100 dB(A)



#### Undercarriage

HR	heavy version, long undercarriage, extra wide
Drive	Liebherr swash plate motors with integrated brake valves on both sides
Transmission	Liebherr planetary reduction gears
Travel speed	low range – 2.5 km/h high range – 4.4 km/h
Drawbar pull max.	720 kN
Track components	D 9 S, maintenance-free
Track rollers/Carrier rollers	13/3
Track pads	flat
Digging locks	wet multi-discs (spring applied, pressure released)
Brake valves	integrated into travel motor



#### Attachment

Type	box-type, combination of resistant steel plates and cast steel components
Hydraulic cylinders	Liebherr cylinders with special seal-system, shock absorbed
Pivots	sealed, low maintenance
Pivots bucket-to-stick	
bucket-to-link	O-ring sealed and completely enclosed
Lubrication	automatic central lubrication system
Hydraulic connections	pipes and hoses equipped with SAE split-flange connections

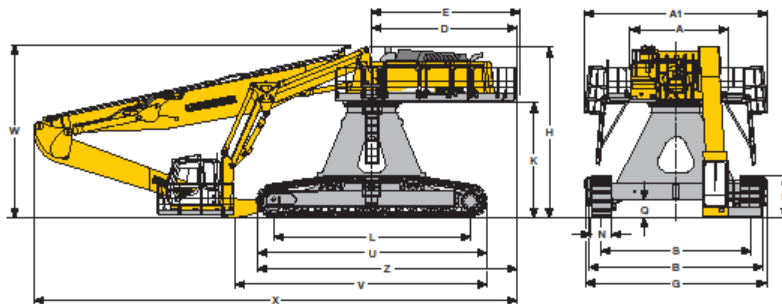


# Bendezu Port Equipment

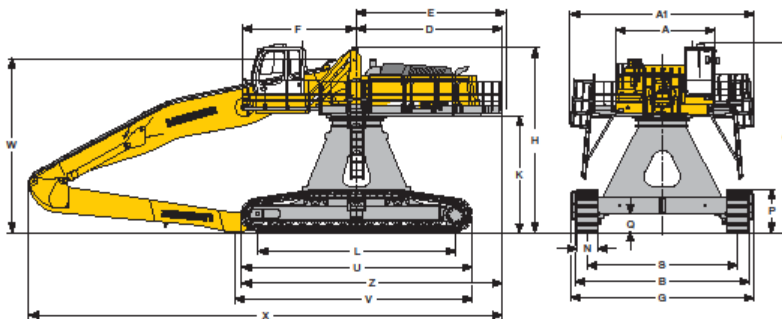
MAQUINARIA PORTUARIA DE SEGUNDA MANO – USED PORT EQUIPMENT FOR SALE – GEBRAUCHTE HAFENTECHNIK

## Liebherr R 974 C

### Dimensions



	mm	<b>Industrial-Type Straight Boom 12.00 m and Industrial Slick</b>	m	9,00
A	3,605	V	mm	9,300
A1	6,745	W	mm	6,350
C	6,910	X	mm	17,800
D	5,342			
E	5,470			
F	4,180	<b>Industrial-Type Straight Boom 14.00 m and Industrial Slick</b>	m	10,50 12,00
H	6,310	V	mm	9,700 8,480
H	with Double Paralelogram	W	mm	6,350 6,350
K	with Paralelogram + Intermediate Piece 0.5 m	X	mm	17,800 17,800
K	4,230			
K	with Tower Elevation 0.8 m			
L	5,030			
L	7,270	<b>Industrial-Type Gooseneck Boom 12.00 m and Industrial Slick</b>	m	9,00
P	1,550	V	mm	8,700
Q	650	W	mm	6,350
S	5,500	X	mm	17,400
U	8,480			
N	750 1,000	<b>Industrial-Type Gooseneck Boom 14.00 m and Industrial Slick</b>	m	10,50 12,00
B	6,395 6,500	V	mm	9,100 8,480
G	6,680 6,940	W	mm	6,350 6,350
Z	9,585	X	mm	19,300 19,300





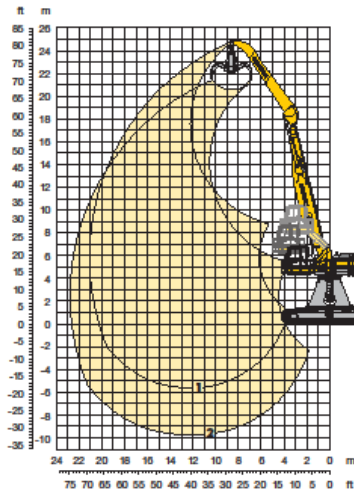
# Bendezu Port Equipment

MAQUINARIA PORTUARIA DE SEGUNDA MANO – USED PORT EQUIPMENT FOR SALE – GEBRAUCHTE HAFENTECHNIK

## Liebherr R 974 C

### Industrial Attachment

with Industrial-Type Straight Boom 12.00 m



#### Attachment Envelope

- 1 with industrial stick 9.00 m
- 2 with industrial stick 9.00 m and grapple model 75 B

#### Operating Weight and Ground Pressure

Operating weight includes basic machine with hydraulic cab elevation parallelogram + intermediate piece 0.5 m, counterweight 18.0 t, industrial-type straight boom 12.00 m, industrial stick 9.00 m and grapple model 75 B with 5 open tines 3.00 m<sup>2</sup>.

Undercarriage		HR	
Pad width	mm	750	1,000
Weight	kg	128,000	131,800
Ground pressure	kg/cm <sup>2</sup>	1.17	0.91



# Bendezu Port Equipment

MAQUINARIA PORTUARIA DE SEGUNDA MANO – USED PORT EQUIPMENT FOR SALE – GEBRAUCHTE HAFENTECHNIK

## Liebherr R 974 C

### Lift Capacities

with Industrial-Type Straight Boom 12.00 m

		Industrial Stick 9.00 m																					
		4.5 m	6.0 m	7.5 m	9.0 m	10.5 m	12.0 m	13.5 m	15.0 m	16.5 m	18.0 m	19.5 m	21.0 m	23.5 m	24.0 m	25.5 m							
Undercarriage	Height	Industrial Stick 9.00 m																					
		4.5 m	6.0 m	7.5 m	9.0 m	10.5 m	12.0 m	13.5 m	15.0 m	16.5 m	18.0 m	19.5 m	21.0 m	23.5 m	24.0 m	25.5 m							
28.5 HR																							
27.0 HR																							
25.5 HR																							
24.0 HR																							
22.5 HR							13.0*	13.0*								13.0*	13.0*	10.7					
21.0 HR							14.0*	14.0*	13.1*	13.1*							13.0*	13.0*	12.50				
19.5 HR									13.0*	13.0*	13.0*	13.1*	13.1*				13.0*	13.0*	14.41				
18.0 HR									13.0*	13.0*	13.0*	13.0*	11.0*	11.0*			9.0*	9.0*	17.10				
16.5 HR									13.0*	13.0*	12.0*	12.0*	12.4*	12.4*	9.2*		9.1*	9.1*	19.11				
15.0 HR							14.4*	14.4*	13.0*	13.0*	13.0*	13.0*	12.4*	12.4*	12.0*	12.0*	9.0*	9.0*	19.90				
13.5 HR							14.0*	14.0*	13.0*	13.0*	13.1*	13.1*	12.0*	12.0*	12.0*	9.0*	9.0*						
12.0 HR							16.0*	16.0*	15.4*	15.4*	14.3*	14.3*	13.4*	13.4*	12.3*	12.3*	11.0*	11.0*					
9.0 HR					19.0*	19.0*			16.1*	16.1*	14.8*	14.8*	13.8*	13.8*	12.2*	12.2*	11.0*	11.0*					
7.5 HR				20.4*	20.4*	21.0*	21.0*	17.0*	17.0*	16.1*	16.1*	14.7*	14.7*	13.0*	13.0*	12.0*	11.7*	11.7*	8.0*				
6.0 HR				31.0*	31.0*	29.3*	29.3*	21.4*	21.4*	18.7*	18.7*	16.7*	16.7*	15.1*	15.1*	13.0*	13.0*	12.7*	11.8*	11.8*	9.4*	9.4*	
4.5 HR				22.0*	22.0*	20.7*	20.7*	22.0*	22.0*	19.0*	19.0*	17.2*	17.2*	15.0*	15.0*	14.1*	14.1*	12.0*	11.8*	11.8*	9.0*	9.0*	
3.0 HR				6.4*	6.4*	10.0*	10.0*	21.7*	21.7*	23.2*	23.2*	20.0*	20.0*	17.0*	17.0*	15.7*	15.7*	14.2*	14.2*	12.0*	11.7*	11.7*	
1.5 HR		3.0*	3.0*	7.0*	7.0*	14.0*	14.0*	23.1*	23.1*	23.0*	23.0*	20.4*	20.4*	17.0*	17.0*	15.0*	15.0*	14.0*	14.0*	12.0*	11.0*	11.0*	
0 HR		5.0*	5.0*	9.4*	9.4*	19.4*	19.4*	27.4*	27.4*	23.7*	23.7*	20.4*	20.4*	17.0*	17.0*	15.0*	15.0*	14.1*	14.1*	12.0*	12.0*	11.0*	11.0*
- 1.5 HR				11.4*	11.4*	16.0*	16.0*	27.0*	27.0*	23.0*	23.0*	20.1*	20.1*	17.0*	17.0*	15.0*	15.0*	13.7*	13.7*	12.1*	12.1*	10.1*	10.1*
- 3.0 HR				13.5*	13.5*	18.1*	18.1*	26.0*	26.0*	22.0*	22.0*	19.0*	19.0*	16.0*	16.0*	14.0*	14.0*	13.0*	13.0*	11.1*	11.1*		
- 4.5 HR						34.1*	34.1*	20.0*	20.0*	18.1*	18.1*	16.0*	16.0*	13.0*	13.0*	11.7*	11.7*			11.0*	11.0*	10.0*	10.0*
- 6.0 HR																							
- 7.5 HR																							
- 9.0 HR																							
- 10.5 HR																							

Height Can be slewed through 360° In longitudinal position of undercarriage Max. reach \* Limited by hydr. capacity

The lift capacities are stated in metric tonnes (t) on the lifting gear's stick tip, and can be lifted 360° on firm, level supporting surface. Capacities are valid for 750 mm flat pads. Indicated loads are based on ISO 10567 standard and do not exceed 75 % of tipping or 87 % of hydraulic capacity (indicated via \*). Lifting capacity of the excavator is limited by machine stability, hydraulic capacity and maximum permissible load of the load hook.

According to European Standard, EN 474-5: In the European Union excavators have to be equipped with an overload warning device, a load diagram and automatic check valves on the hoist cylinders, when they are used for lifting operations which require the use of lifting accessories.